

2023-03-20

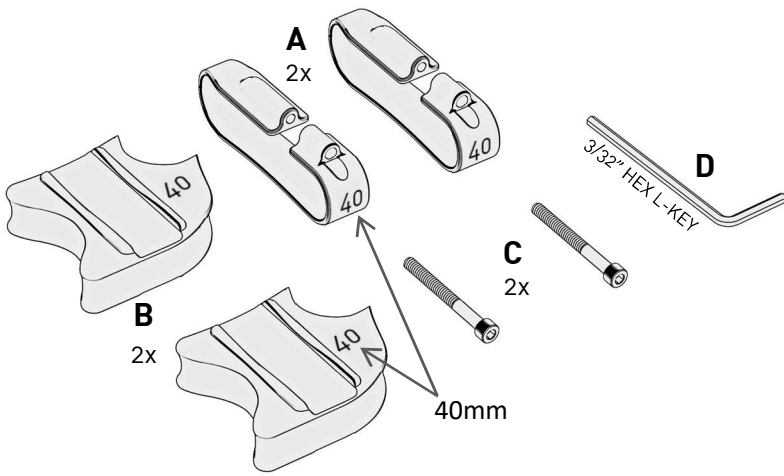
EXTENSION STOPPER KIT

HEIGHT 40mm

KIT BLOC D EXTENSION
HAUTEUR 40mm



500202-EXT-040

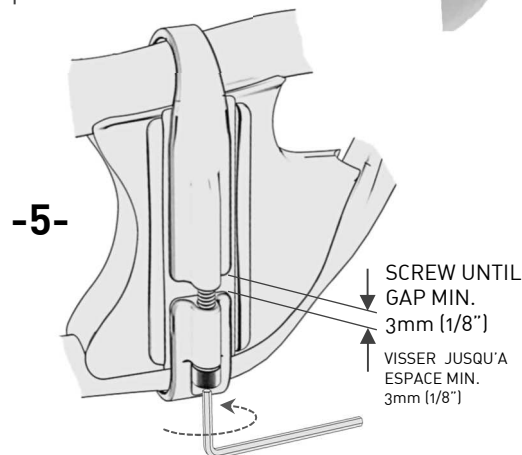
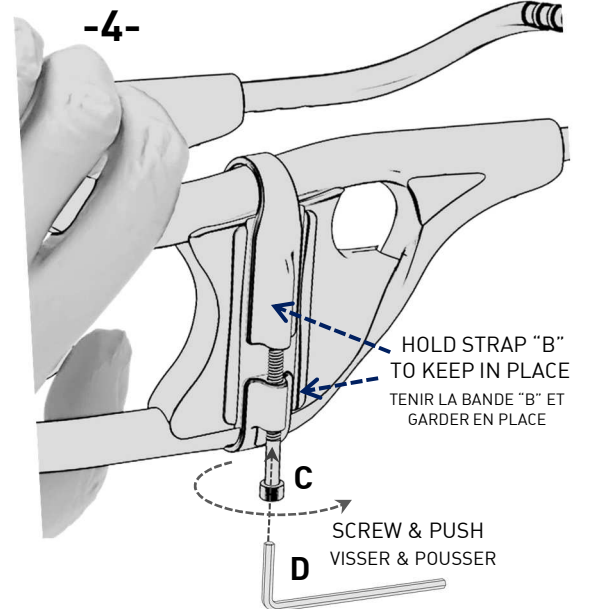
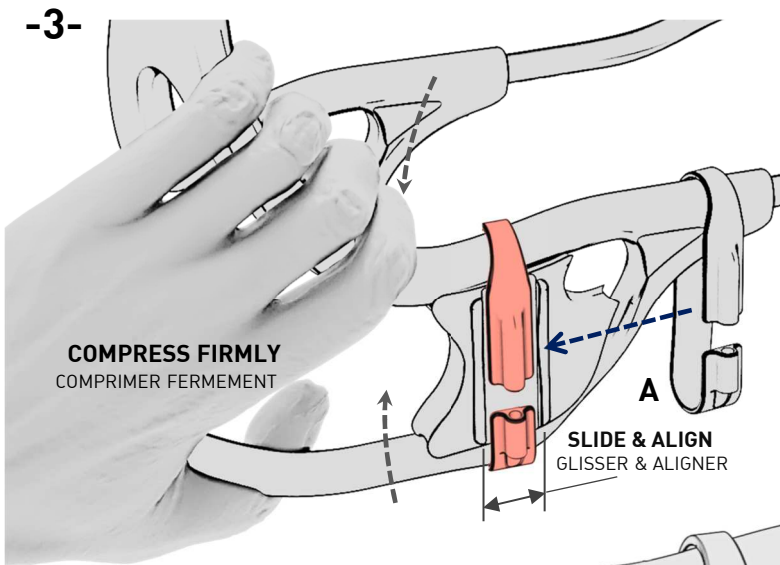
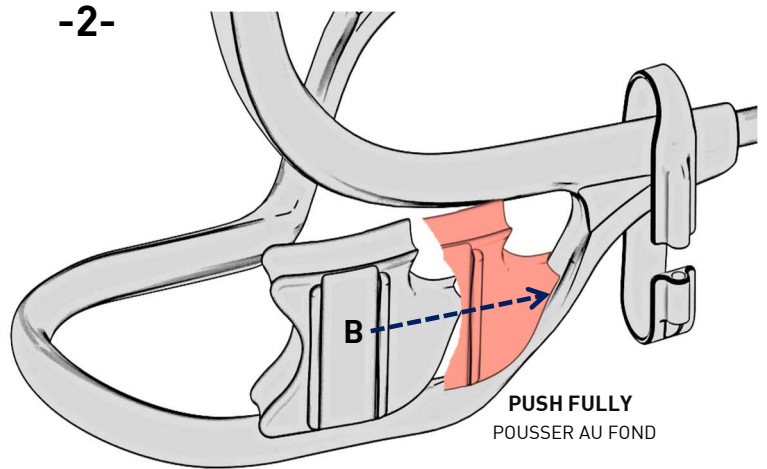
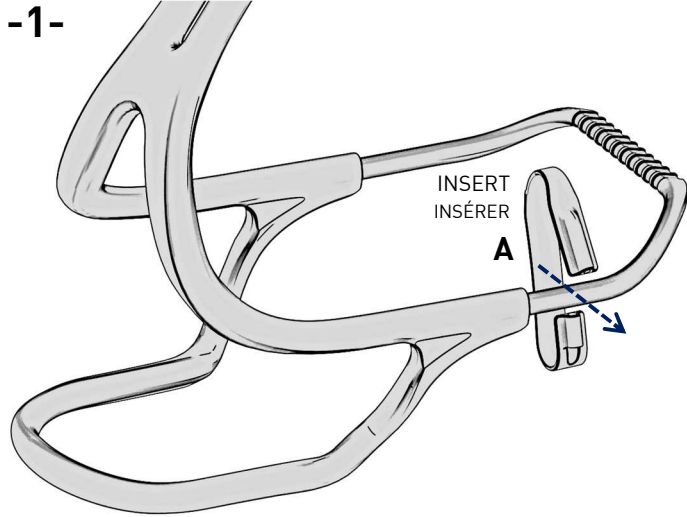


COMPATIBLE :

XTERN SUMMIT SMALL
XTERN FRONTIER *SMALL MEDIUM LARGE
XTERN CLASSIC *MEDIUM *LARGE

(SEE SIZE SELECTION CHART)

* ULTRA-STIFFNESS



-6- REPEAT ALL STEPS FOR
INSTALLATION ON
OPPOSITE SIDE

RÉPÉTER TOUTES LES ÉTAPES
POUR INSTALLATION
DU CÔTÉ OPPOSÉ



FOOT DROP?

| GET YOUR LIFE BACK!



**EXTENSION STOPPER KIT
PLANTAR & DORSIFLEXION MODULATION SYSTEM
SIZE SELECTION CHART**

MODEL SIZE DESCRIPTION			
XTERN SIZE	500202-EXT-030 EXTENSION STOPPER HEIGHT 30mm	500202-EXT-040 EXTENSION STOPPER HEIGHT 40mm	500202-EXT-045 EXTENSION STOPPER HEIGHT 45mm
	LARGE		●
	MEDIUM		●
	SMALL		●
	LARGE	●	● *
	MEDIUM	●	● *
	SMALL	●	● *
	LARGE	●	● *
	MEDIUM	●	● *
	SMALL	●	
500202-EXT-030 REPLACE THE OLD 500201-EXT-SML (DISCONTINUED)		* ULTRA-STIFFNESS	



CLINICAL INDICATIONS
FOOT DROP COMBINED WITH:
Spasticity, Knee Hyperextension,
Calf Athrophy, Foot Slap,
Extra Heavy Foot or Footwear