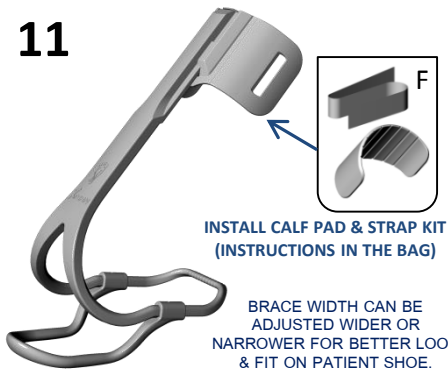


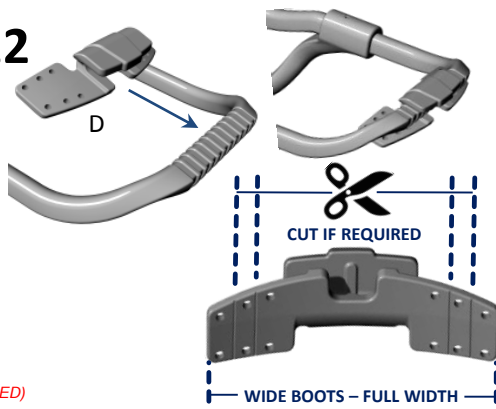
11



INSTALL CALF PAD & STRAP KIT (INSTRUCTIONS IN THE BAG)

BRACE WIDTH CAN BE ADJUSTED WIDER OR NARROWER FOR BETTER LOOK & FIT ON PATIENT SHOE. (SEE THERMOFORMING GUIDELINE IF REQUIRED)

12



CUT IF REQUIRED

WIDE BOOTS - FULL WIDTH

13

- EASY FITTING SHOES FOR FIRST TRIAL - SNEAKERS - TENNIS SHOES -

ENOUGH EYELETS



WE RECOMMEND STABLE SHOES WITH FIRM HEELCAP, ROBUST FABRIC AND FITTED WITH RIDGE ON SOLE CONTOUR TO HOLD THE BRACE IN PLACE. AVOID MINIMALIST SHOES WITH VERY LIGHT FABRIC AND THIN SOLE.

ROBUST FABRIC

BULKY SOLE+RIDGES FOR HEEL FRICTION GRIP

14



LOOK FOR EYELETS POSITION.

15



ASK PATIENT TO DON THE SHOE & SELECT WIDTH FOR HOLES.

16



INSTALL TIE-WRAPS IN EYELETS. NEVER ATTACH AROUND THE LACES!

17



LOCK BOTH TIE-WRAPS IN REAR CORNERS OR BEST FIT POSITION.

18



TIGHTEN TIE-WRAPS AT MAXIMUM VERY STRONG FIXATION IS IMPORTANT! PULL FIRMLY ON LACE CLIP AND VALIDATE IT'S SOLIDLY ANCHORED AND BONDED TO THE SHOE.

19



HOOK THE BRACE ON THE SHOE AND YOU'RE READY FOR ACTION! SEE LACE CLIP FITTING LEAFLET FOR MORE FOOTWEAR OPTIONS. (VIDEOS TUTORIALS AVAILABLE ON YOUTUBE & OUR WEBSITE)



ASSEMBLY INSTRUCTIONS
XTERN SEMI-ASSEMBLED ORTHOTIC KIT
SIZE SMALL (100100-SA-S)



SHOE SIZE 2.5 US -> 8 US Men

2019-09-17 - 100100-SA-S XTERN

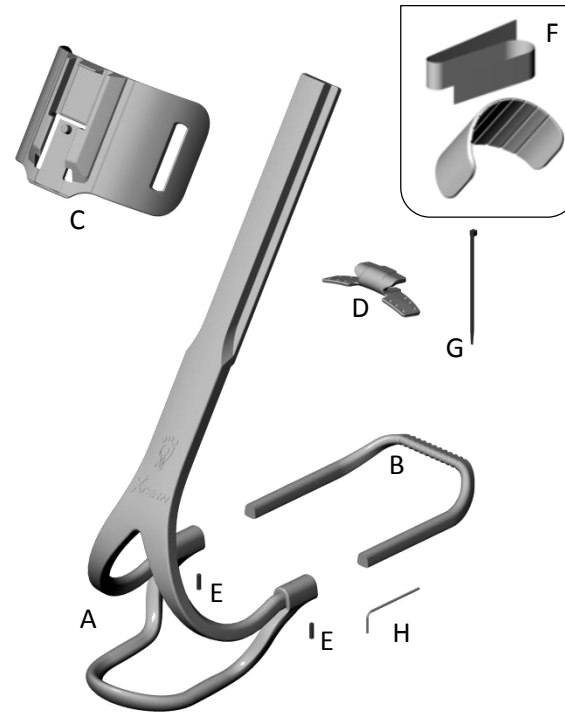


SUGGESTED TOOLS

- POWERED DRILL (VARIABLE SPEED)
- DRILL BIT 7/64" (2.8 MM)
- HEX ALLEN KEY 1/16" (INCLUDED)
- METAL HAND SAW
- MEASURING CALIPER 300MM OR MEASURING TAPE
- BENCH VISE WITH SOFT PAD JAW (PLASTIC / LEATHER)
- TRAUTMAN SANDER AND CARVER
- CUTTER PLIER
- HEAT GUN / HEAT SOURCE MIN 250°F (120°C) IF THERMOFORMING REQUIRED

PROTECTIVE SAFETY GEAR:

SAFETY GOGGLES, GLOVES, DUST MASK & ALL OTHER PROTECTION REQUIRED BY YOUR HEALTH & SAFETY WORK POLICY

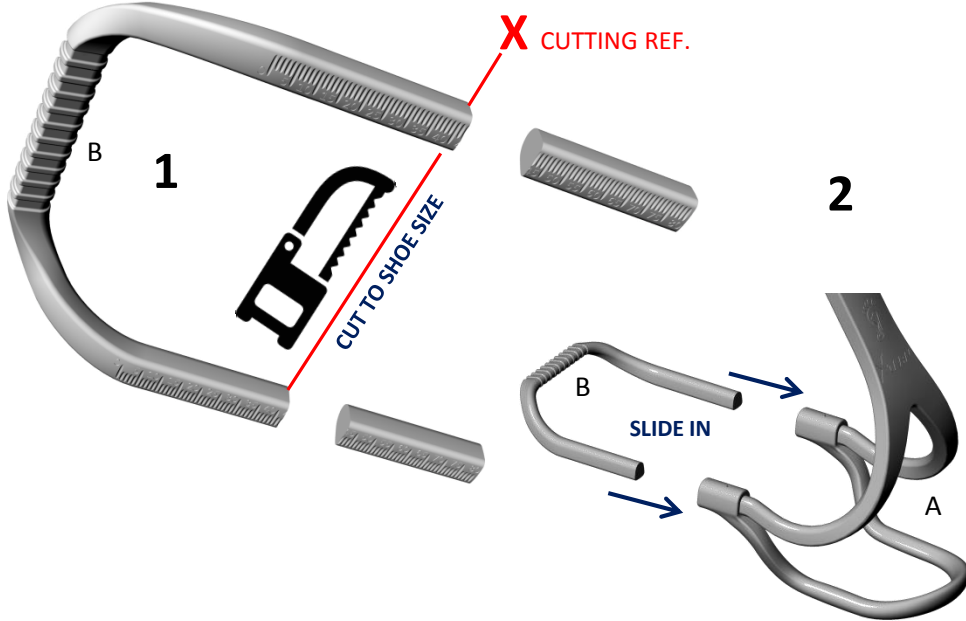


PARTS LIST - XTERN ORTHOTIC KIT, SIZE SMALL (100100-SA-S)

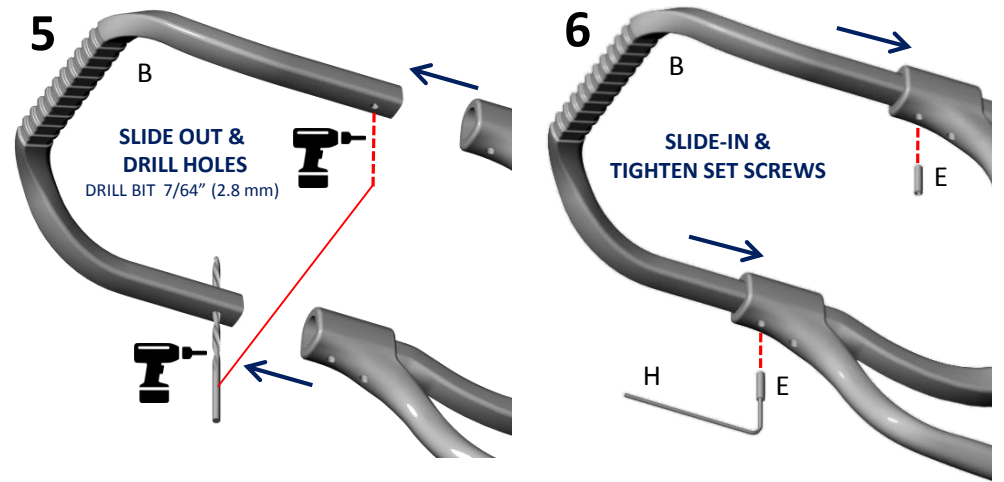
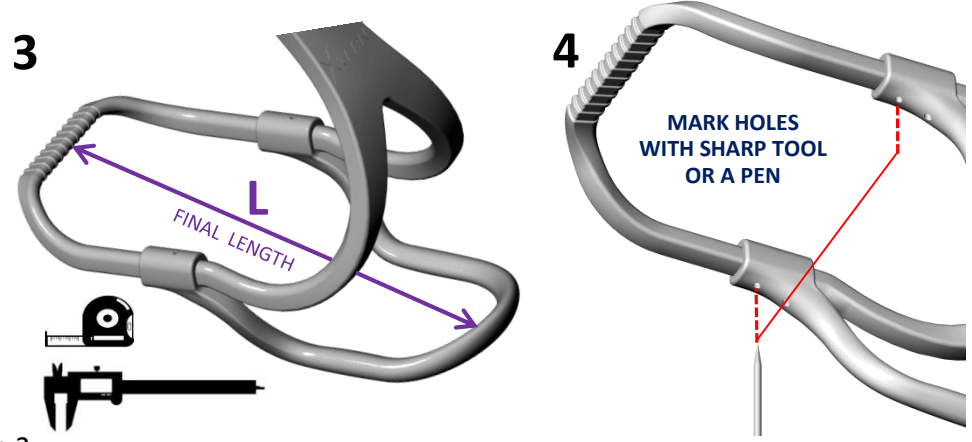
Item	Qty	PRODUCT CODE	DESCRIPTION
A	1	200000-BA0-S	MAIN BRACE BODY ASSEMBLY, SIZE SMALL
B	1	200000-U00-S	FRONT SHOE SECTION «U» SHAPE, SIZE SMALL
C	1	200000-C00-S	PLASTIC CALF SECTION, SIZE SMALL
D	5	200000-L00-S	LACE CLIP ATTACHMENT, SIZE SMALL
E	3	700000-SET-002	SET SCREW 5-40 X 1/2"LONG. 18-8 STAINLESS STEEL
F	1	500301-K00-SML	COMPLETE STRAP & CUSHIONS KIT
G	20	700000-ZZZ-001	TIE-WRAP BLACK 18 LBS/4"LONG
H	1	700000-HEX-001	HEX-L-KEY 1/16" (FOR 5-40 SET SCREW)

US SHOE SIZE	SIZE SMALL KIT - CUTTING CHART											
MEN	2.5	3	3.5	4	4.5	5	5.5	6	6.5	7	7.5	8
WOMEN	3.5	4	4.5	5	5.5	6	6.5	7	7.5	8	8.5	9
X CUTTING REF.	14	18	22	25	30	34	38	42	46	49	52	55

SEE GRADUATIONS ENCARVED UNDER FRONT "U" SECTION



US SHOE SIZE	SIZE SMALL KIT - MEASUREMENT											
MEN	2.5	3	3.5	4	4.5	5	5.5	6	6.5	7	7.5	8
WOMEN	3.5	4	4.5	5	5.5	6	6.5	7	7.5	8	8.5	9
L (mm)	160	164	168	171	175	180	183	187	190	193	196	199



US SHOE SIZE	SIZE SMALL KIT - CALF HEIGHT											
MEN	2.5	3	3.5	4	4.5	5	5.5	6	6.5	7	7.5	8
WOMEN	3.5	4	4.5	5	5.5	6	6.5	7	7.5	8	8.5	9
H CUTTING REF.	3	3	3	3	3	2	2	2	2	2	2	2

SUGGESTED CUTTING CHART - SEE NUMBERS MARKS ON PART

VERIFY CALF BAND POSITION ON PATIENT BEFORE CUTTING

