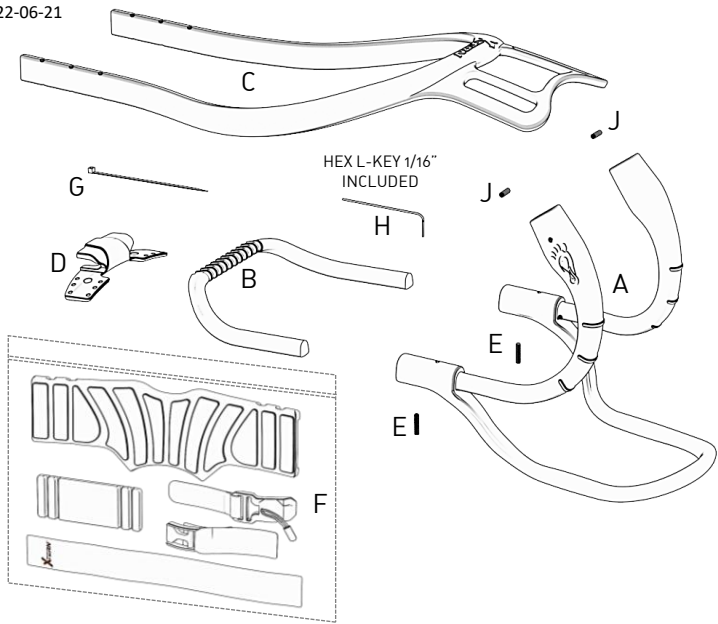


XTERN FRONTIER ORTHOTIC KIT ORTHÈSE XTERN FRONTIER



SMALL / PETIT : 102100-SA-S

US SHOE SIZE / POINTURE
2.5 US → 8 US Men



PARTS LIST - XTERN ANTERIOR ORTHOTIC KIT, SIZE SMALL

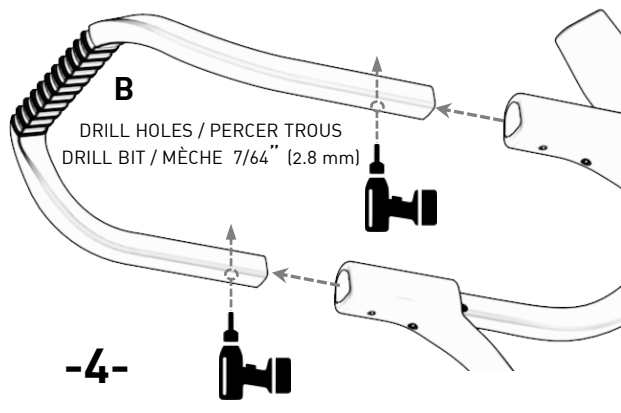
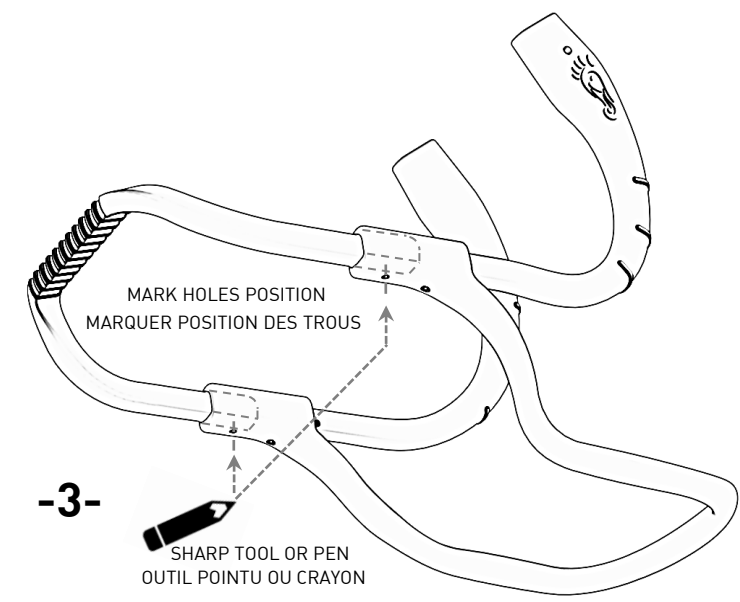
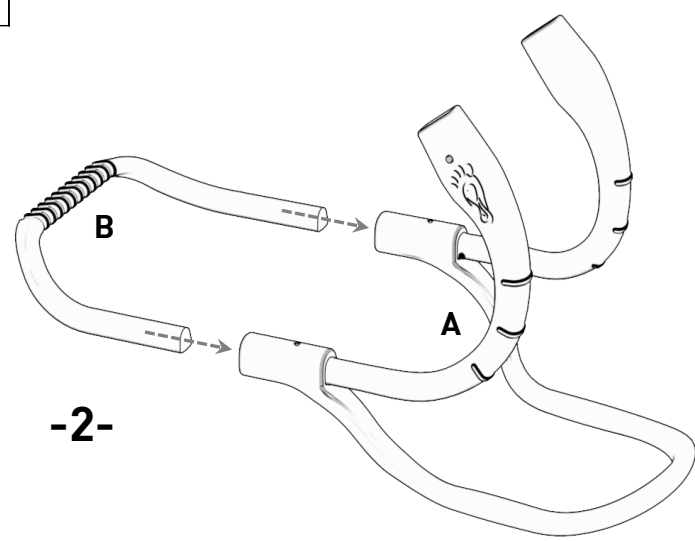
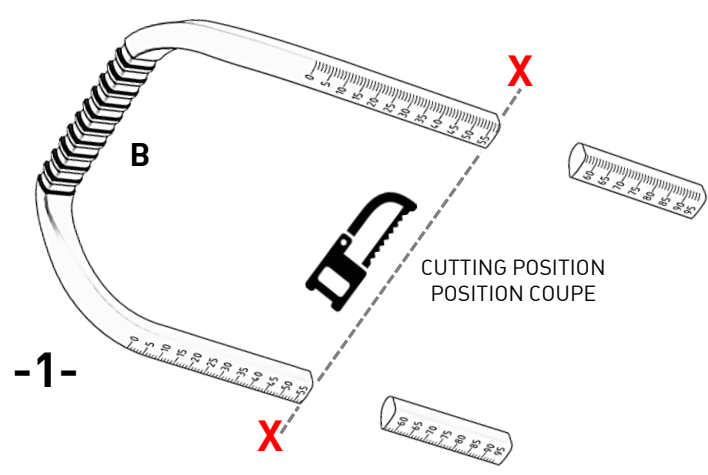
Item	Qty	PRODUCT CODE	DESCRIPTION
A	1	202000-BA0-S	MAIN BRACE BODY ASSEMBLY, SIZE SMALL
B	1	200000-U00-S	FRONT SHOE SECTION «U» SHAPE, SMALL
C	1	202000-S00-S	SHIN ARCH SECTION SIZE SMALL
D	5	200000-L00-S	LACE CLIP ATTACHMENT, SIZE SMALL
E	3	700000-SET-002	SET SCREW 5-40 X 1/2" L. 18-8 STAINLESS STEEL
F	1	502400-K00-SML	SHIN PAD & MAGNET STRAP KIT
G	20	700000-ZZZ-001	TIE-WRAP BLACK 18 LBS/4" LONG
H	1	700000-HEX-001	HEX-L-KEY 1/16" (FOR 5-40 SET SCREW)
J	3	700000-SET-005	SET SCREW 5-40 X 5/16" L. 18-8 STAINLESS STEEL

REQUIRED TOOLS (NOT INCLUDED)
OUTILS REQUIS (NON INCLUS)

DRILL BIT / MÈCHE
7/64" (2.8 mm)

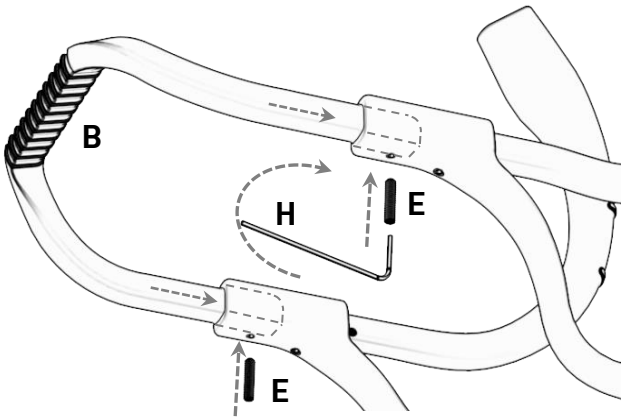
CUTTING CHART / CHARTE DE COUPE

US SHOE SIZE POINTURE US	GRANDEUR SMALL SIZE											
MEN / HOMME	2.5	3	3.5	4	4.5	5	5.5	6	6.5	7	7.5	8
WOMEN / FEMME	3.5	4	4.5	5	5.5	6	6.5	7	7.5	8	8.5	9
X CUTTING POSITION POSITION COUPE	14	18	22	25	30	34	38	42	46	49	52	55

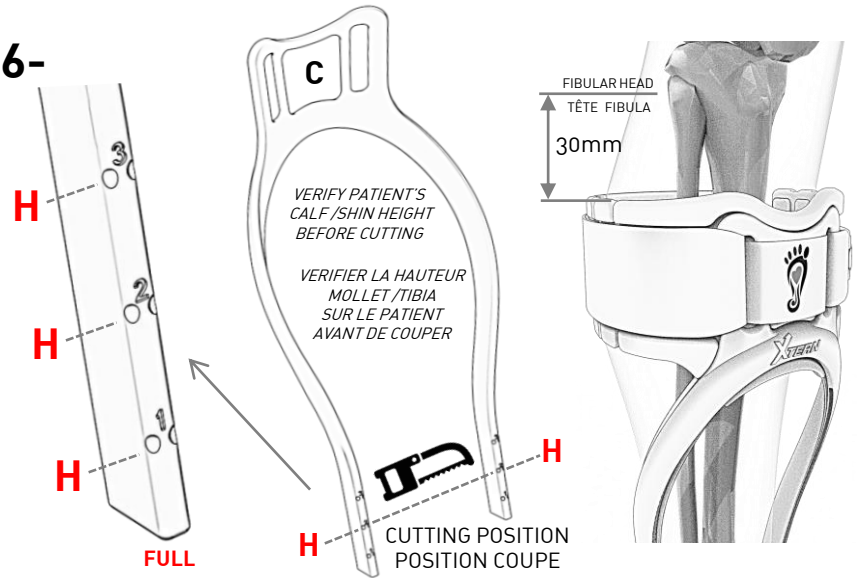


SHIN SUPPORT CUTTING CHART / CHARTE DE COUPE SUPPORT TIBIAL												
US SHOE SIZE POINTURE US	GRANDEUR SMALL SIZE											
MEN / HOMME	2.5	3	3.5	4	4.5	5	5.5	6	6.5	7	7.5	8
WOMEN / FEMME	3.5	4	4.5	5	5.5	6	6.5	7	7.5	8	8.5	9
H CUTTING POSITION POSITION COUPE	2	2	2	2	2	1	1	1	1	1	1	FULL

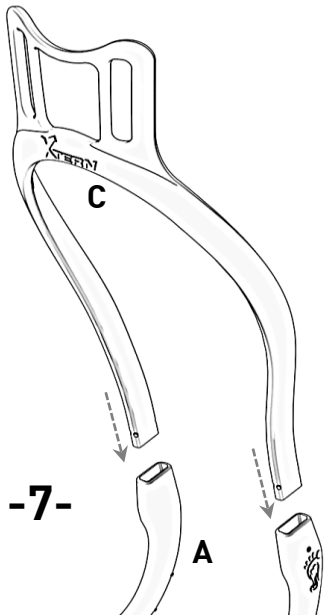
-5-



-6-



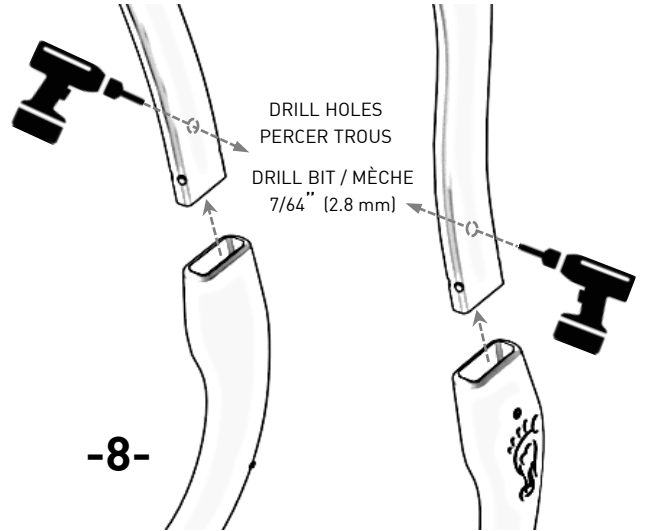
-7-



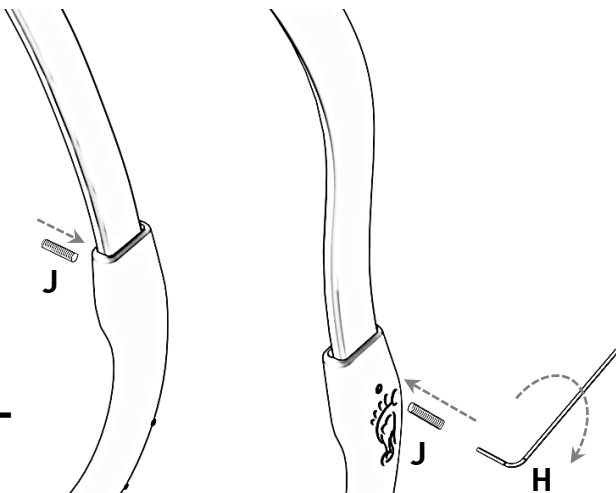
MARK HOLES
MARQUER TROUS

SHARP TOOL OR PEN
OUTIL POINTU OU CRAYON

-8-



-9-



-10-

