

2023-03-20



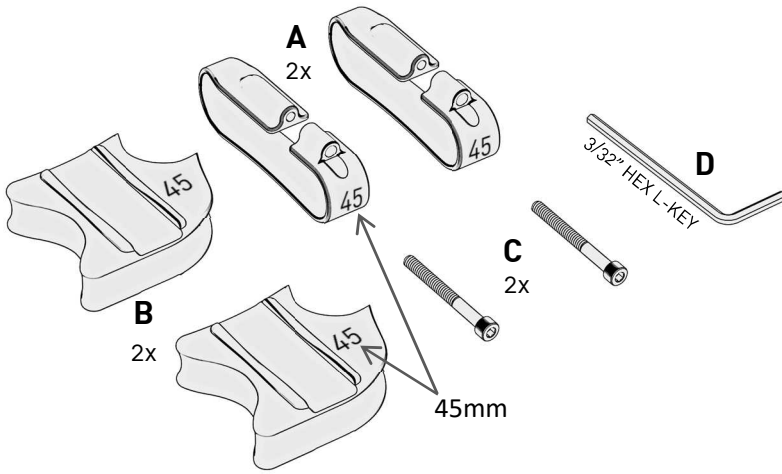
EXTENSION STOPPER KIT

HEIGHT 45mm

KIT BLOC D EXTENSION
HAUTEUR 45mm



500202-EXT-045

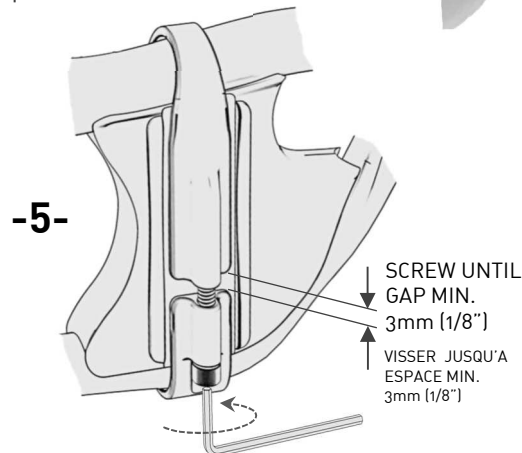
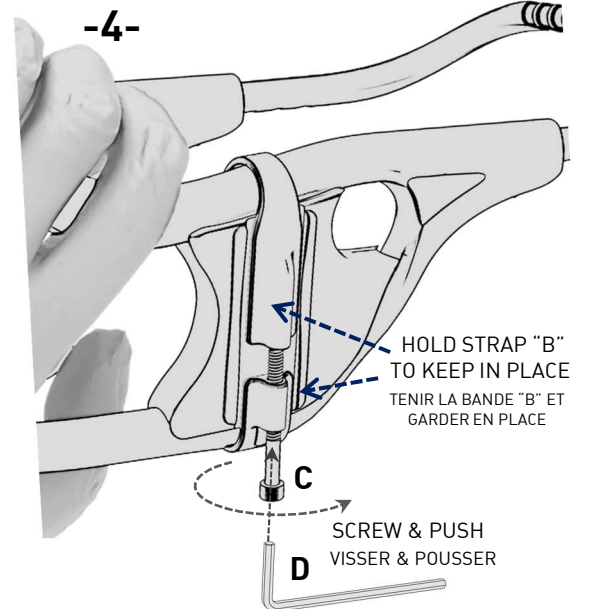
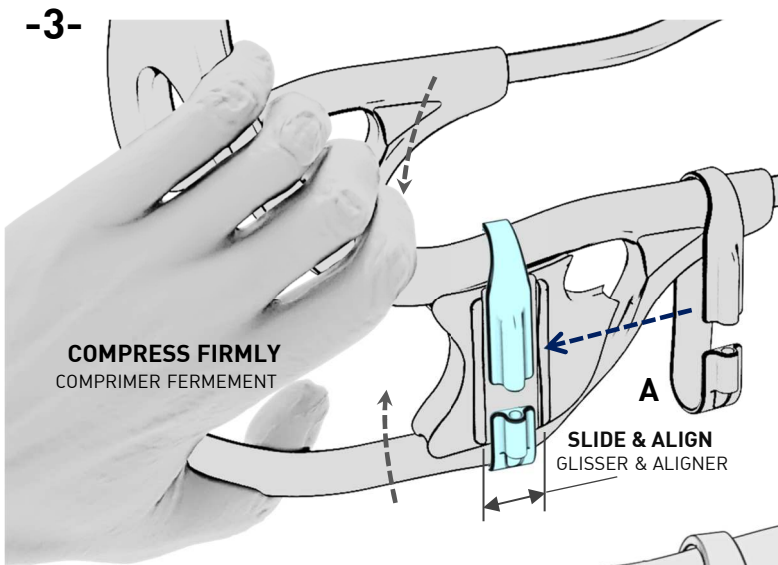
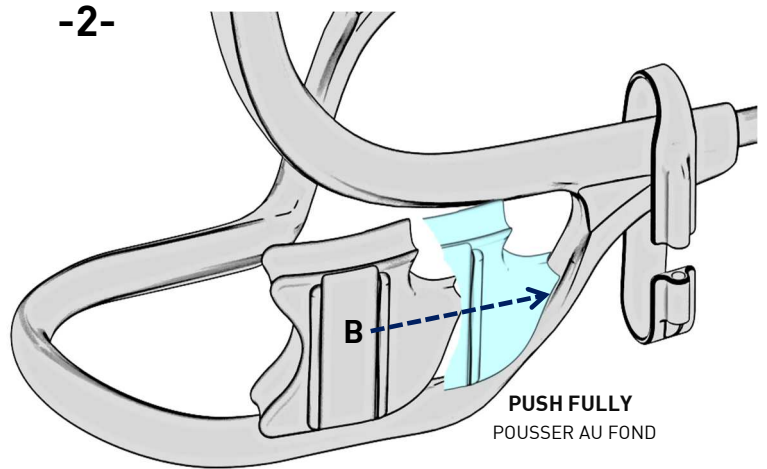
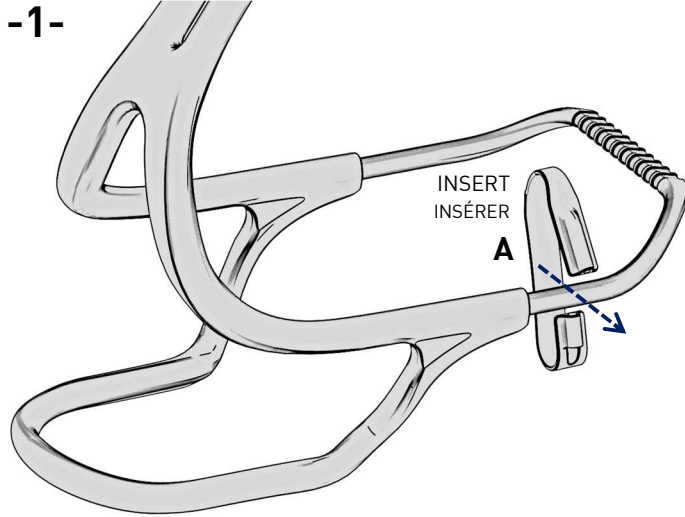


COMPATIBLE :

XTERN SUMMIT MEDIUM LARGE
XTERN FRONTIER *MEDIUM *LARGE

(SEE SIZE SELECTION CHART)

* ULTRA-STIFFNESS



-6- REPEAT ALL STEPS FOR
INSTALLATION ON
OPPOSITE SIDE

RÉPÉTER TOUTES LES ÉTAPES
POUR INSTALLATION
DU CÔTÉ OPPOSÉ



FOOT DROP?

| GET YOUR LIFE BACK!



**EXTENSION STOPPER KIT
PLANTAR & DORSIFLEXION MODULATION SYSTEM
SIZE SELECTION CHART**

MODEL SIZE DESCRIPTION			
			
XTERN SIZE	500202-EXT-030 EXTENSION STOPPER HEIGHT 30mm	500202-EXT-040 EXTENSION STOPPER HEIGHT 40mm	500202-EXT-045 EXTENSION STOPPER HEIGHT 45mm
	LARGE		
	MEDIUM		
	SMALL		
	LARGE		 *
	MEDIUM		 *
	SMALL		 *
	LARGE		 *
	MEDIUM		 *
	SMALL		
500202-EXT-030 REPLACE THE OLD 500201-EXT-SML (DISCONTINUED)		* ULTRA-STIFFNESS	



CLINICAL INDICATIONS
 FOOT DROP COMBINED WITH:
 Spasticity, Knee Hyperextension,
 Calf Athrophy, Foot Slap,
 Extra Heavy Foot or Footwear